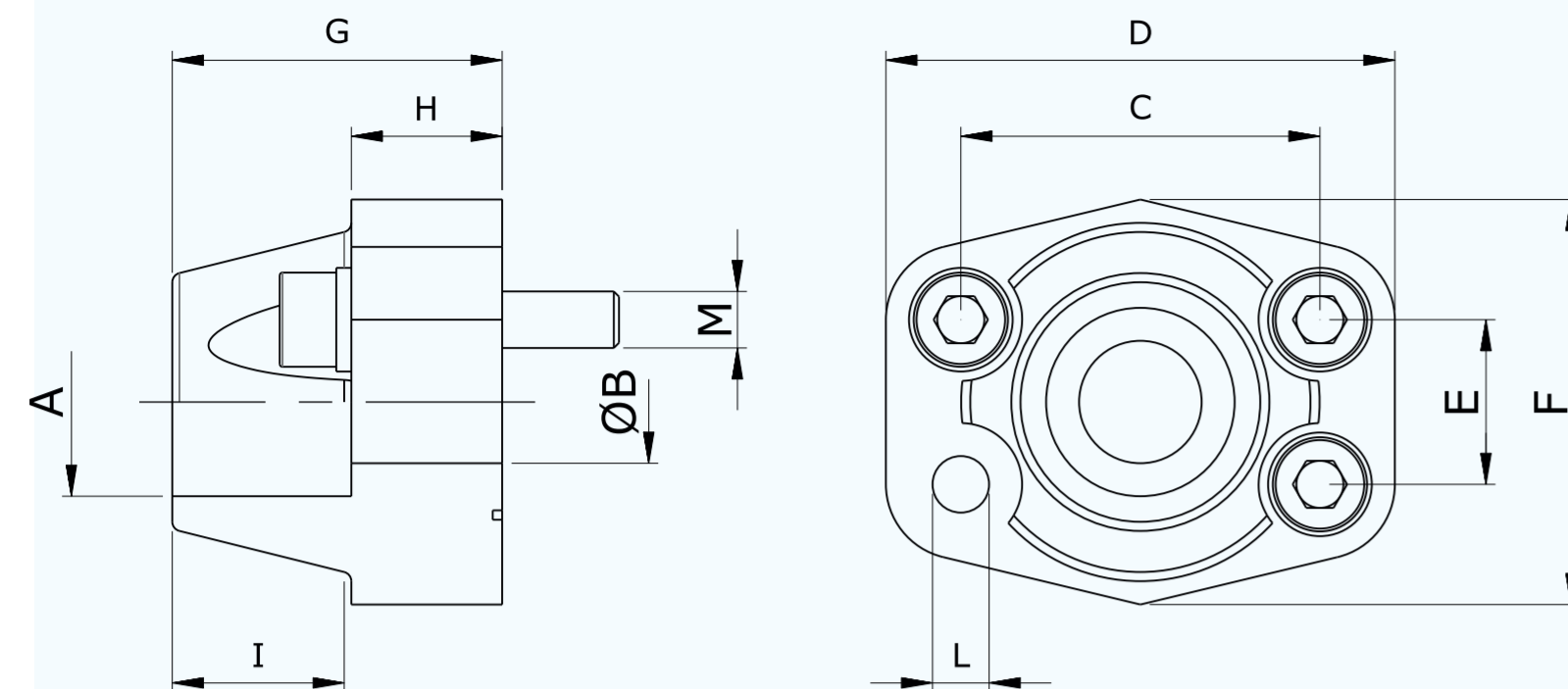


Click on RED & GREEN column to get dimensions / Click BLACK buttons to get different views.



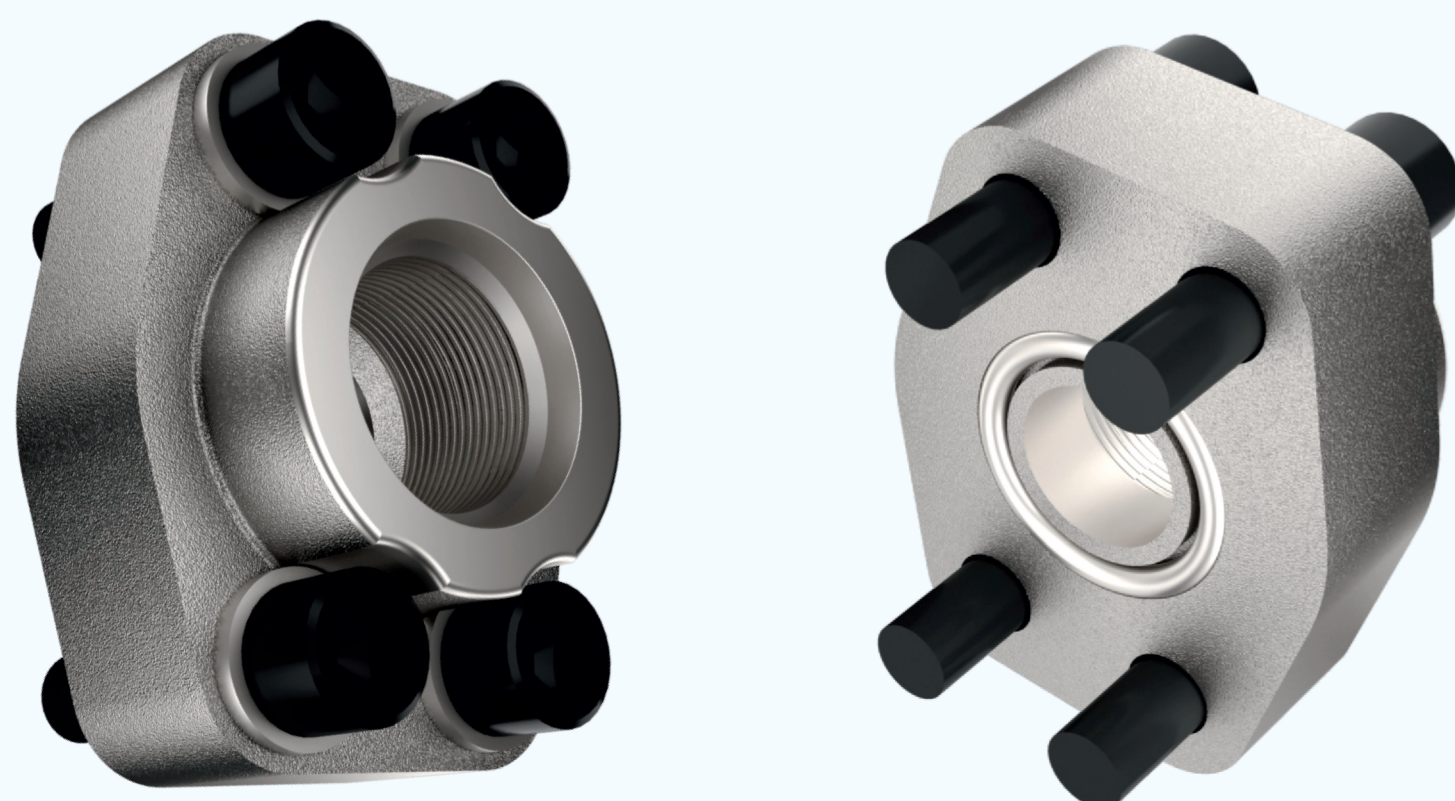
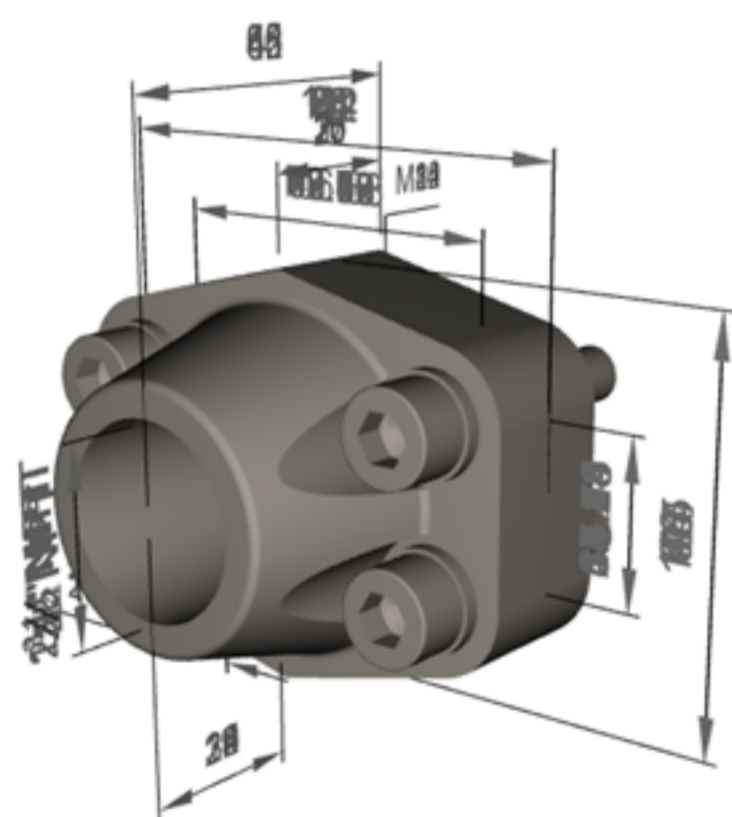
3D VIEW

VIEW 1

VIEW 2

SECTION

SLIDESHOW



Maximum recommended working pressure kg/cm2	S.A.E. nominal flange size, in	Type	Dimensions									SCREWS
			A	B	C	D	E	F	G	H	I	M metr.
3000 P.S.I												
250	1/2"	AF3N 1/2" x 1/2"	1/2" NPT	13	38.10	54	17.48	43	36	16	19	M 8
250	1/2"	AF3N 1/2" x 3/8"	3/8" NPT	13	38.10	54	17.48	43	36	16	19	M 8
250	3/4"	AF3N 3/4" x 3/4"	3/4" NPT	19	47.63	68	22.23	50	36	18	19	M 10
250	3/4"	AF3N 3/4" x 1/2"	1/2" NPT	13	47.63	68	22.23	50	36	18	19	M 10
250	1"	AF3N 1" x 1"	1" NPT	25	52.37	74	26.19	55	38	18	22	M 10
250	1"	AF3N 1" x 3/4"	3/4" NPT	19	52.37	74	26.19	55	35	21	19	M 10
210	1 1/4"	AF3N 1 1/4" x 1 1/4"	1 1/4"	32	58.72	81	30.18	68	41	21	22	M 10
210	1 1/4"	AF3N 1 1/4" x 1"	1" NPT	25	58.72	81	30.18	68	42	25	22	M 10
160	1 1/2"	AF3N 1 1/2" x 1 1/2"	1 1/2" NPT	38	69.85	93	35.71	78	45	25	24	M 12
160	1 1/2"	AF3N 1 1/2" x 1 1/4"	1 1/4" NPT	32	69.85	94	35.71	78	45	27	24	M 12
160	2"	AF3N 2" x 2"	2" NPT	51	77.77	102	42.88	90	45	25	30	M 12
160	2"	AF3N 2" x 1 1/2"	1 1/2" NPT	38	77.77	102	42.88	90	45	25	26	M 12
140	2 1/2"	AF3N 2 1/2" x 2 1/2"	2 1/2" NPT	63	88.90	114	50.80	105	50	25	30	M 12
140	3"	AF3N 3" x 3"	3" NPT	73	106.38	134	61.93	124	50	27	34	M 16
6000 P.S.I												
320	1/2"	AF6N 1/2" x 1/2"	1/2" NPT	13	40.49	54	18.24	46	36	16	19	M 8
320	1/2"	AF6N 1/2" x 3/8"	3/8" NPT	13	40.49	54	18.24	46	36	16	19	M 8
320	3/4"	AF6N 3/4" x 3/4"	3/4" NPT	19	50.80	74	23.80	55	35	21	22	M 10
320	3/4"	AF6N 3/4" x 1/2"	1/2" NPT	13	50.80	74	23.80	55	35	21	22	M 10
320	1"	AF6N 1" x 1"	1" NPT	25	57.15	81	27.76	68	42	25	24	M 12
320	1"	AF6N 1" x 3/4"	3/4" NPT	19	57.15	81	27.76	68	42	25	24	M 12
320	1 1/4"	AF6N 1 1/4" x 1 1/4"	1 1/4" NPT	32	66.68	95	31.75	78	45	27	25	M 14
320	1 1/4"	AF6N 1 1/4" x 1"	1" NPT	25	66.68	95	31.75	78	45	27	25	M 14
320	1 1/2"	AF6N 1 1/2" x 1 1/2"	1 1/2" NPT	38	79.38	112	36.50	94	50	30	28	M 16
320	1 1/2"	AF6N 1 1/2" x 1 1/4"	1 1/4" NPT	32	79.38	112	36.50	94	50	30	28	M 16
320	2"	AF6N 2" x 2"	2" NPT	51	96.82	134	44.45	114	65	37	30	M 20
320	2"	AF6N 2" x 1 1/2"	1 1/2" NPT	38	96.82	134	44.45	114	65	37	30	M 20
Designation for order		IS2062	1.4301	MATERIAL								
- Flange only		AF3N	AF3NS	ST 52 - 3 A 105 AISI 304 AISI 316								
- Flg. incl. metric screws & o-ring		AF3NM	AF3NSM									

Our Products



- Hydraulic Power Pack
- PLC Control Power Pack
- Special Purpose Test Stand
- Pipe Spool
- Header Assembly
- Encloser
- CNC Component
- SAE Flanges
- Coupling (KTR MAKE)